

SCIENTIFIC REPORTS

OPEN

Publisher Correction: Efficient ECG Compression and QRS Detection for E-Health Applications

Mohamed Elgendi^{1,2}, Amr Mohamed³ & Rabab Ward¹

Published online: 01 December 2017

Scientific Reports 7:459; doi:10.1038/s41598-017-00540-x; Article published online 28 March 2017

This Article contains an incorrect version of Figure 7. The correct Figure 7 appears below as Figure 1.

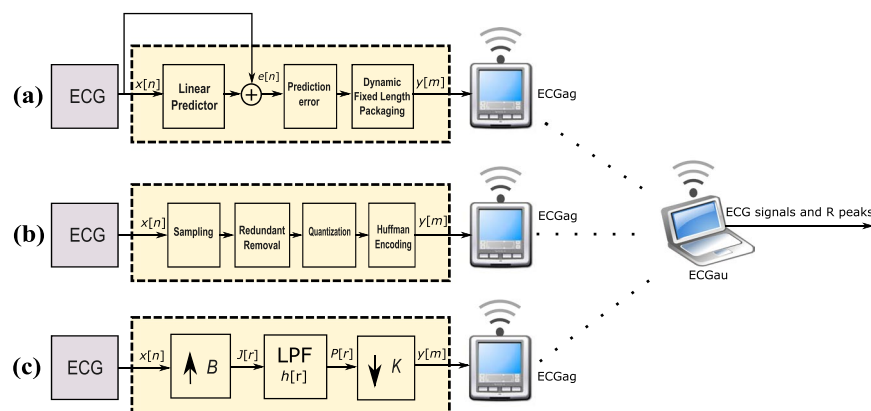


Figure 1

¹Department of Electrical and Computer Engineering, University of British Columbia, Vancouver, British Columbia, Canada. ²Department of Obstetrics and Gynaecology, University of British Columbia, Vancouver, British Columbia, Canada. ³Department of Computer Science & Engineering, University of Qatar, Doha, Qatar. Correspondence and requests for materials should be addressed to M.E. (email: mohamed.elgendi@cw.bc.ca)



Open Access This article is licensed under a Creative Commons Attribution 4.0 International License, which permits use, sharing, adaptation, distribution and reproduction in any medium or format, as long as you give appropriate credit to the original author(s) and the source, provide a link to the Creative Commons license, and indicate if changes were made. The images or other third party material in this article are included in the article's Creative Commons license, unless indicated otherwise in a credit line to the material. If material is not included in the article's Creative Commons license and your intended use is not permitted by statutory regulation or exceeds the permitted use, you will need to obtain permission directly from the copyright holder. To view a copy of this license, visit <http://creativecommons.org/licenses/by/4.0/>.

© The Author(s) 2017